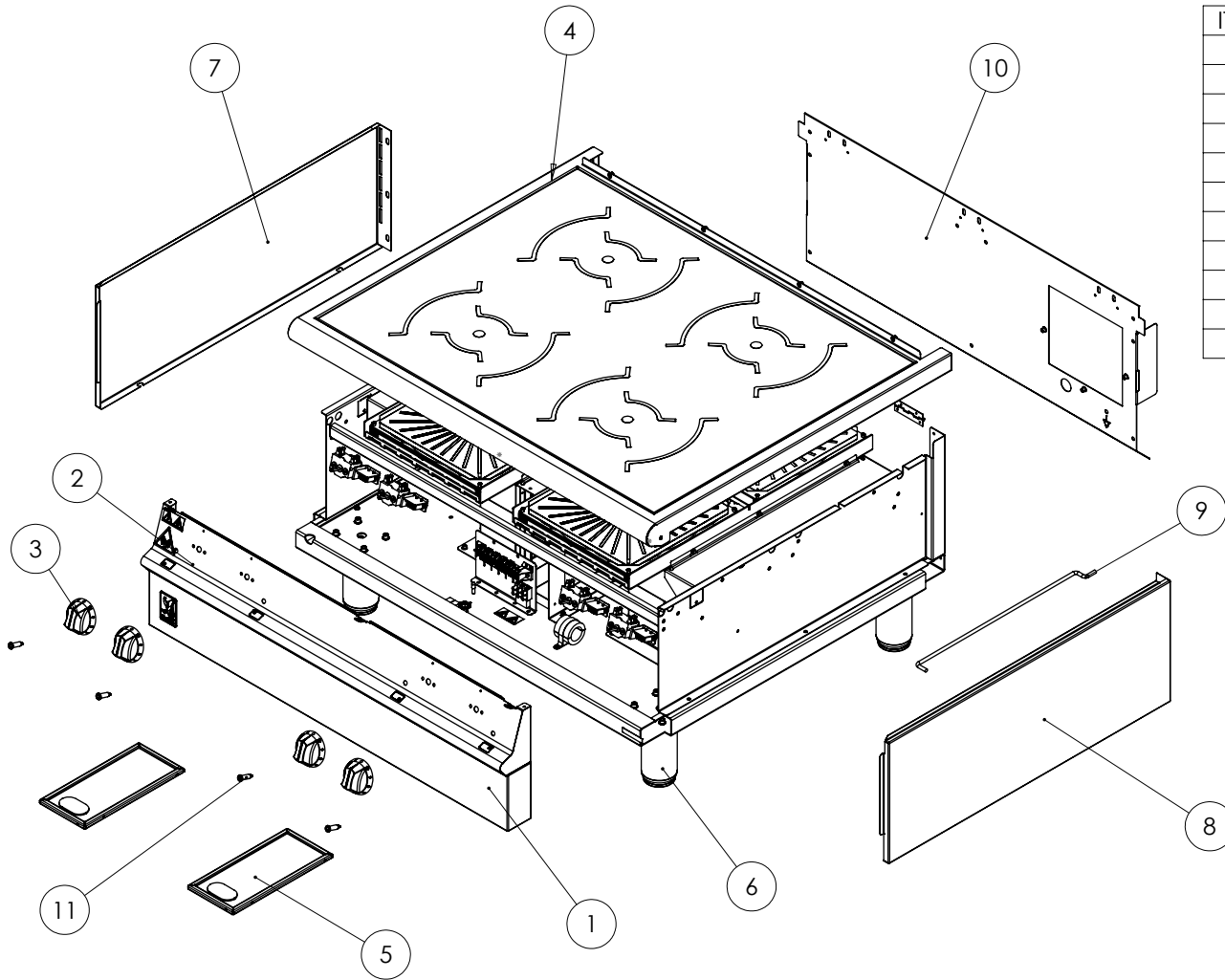




# E3903i / E3904i - SPARES - FITMENTS & CONTROLS

APPLICABLE TO UNITS BUILT FROM JANUARY 2023 ONWARDS



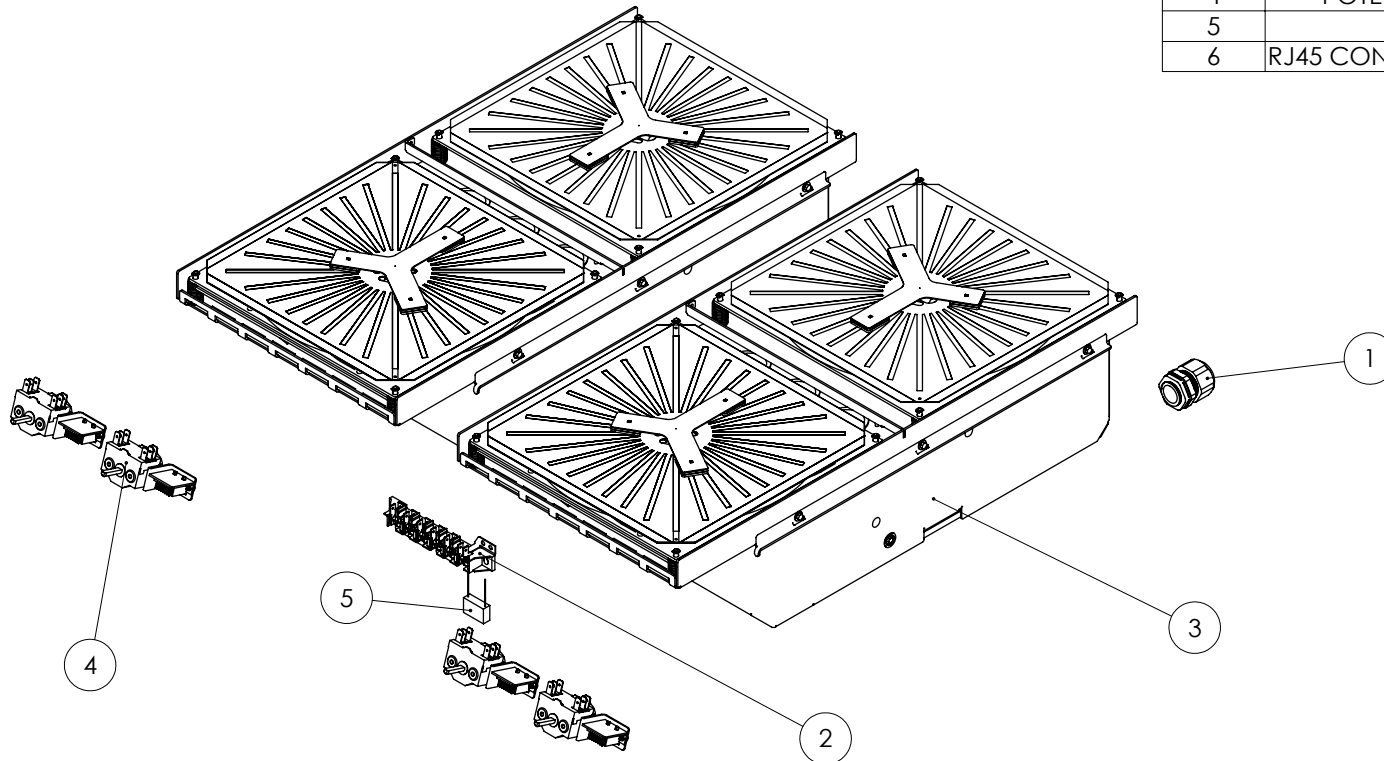
ITEM	DESCRIPTION	SPARES NO.
1	FRONT FACIA	734060022
2	CONTROL PANEL	734060038
3	CONTROL KNOB	734060003
4	INDUCTION HOB ASSEMBLY	734060039
5	AIR FILTER TWIN ZONE	734070005
6	ADJUSTABLE FEET (SET OF 4)	535000012
7	LH OUTER PANEL	734070010
8	RH OUTER PANEL	734070009
9	HOB STAY ROD	733990012
10	E3903i BACK PANEL (INDUCS)	734060040
11	GREEN LED INDICATOR	734070028



# E3903i / E3904i - SPARES - ELECTRICS

APPLICABLE TO UNITS BUILT FROM JANUARY 2023 ONWARDS

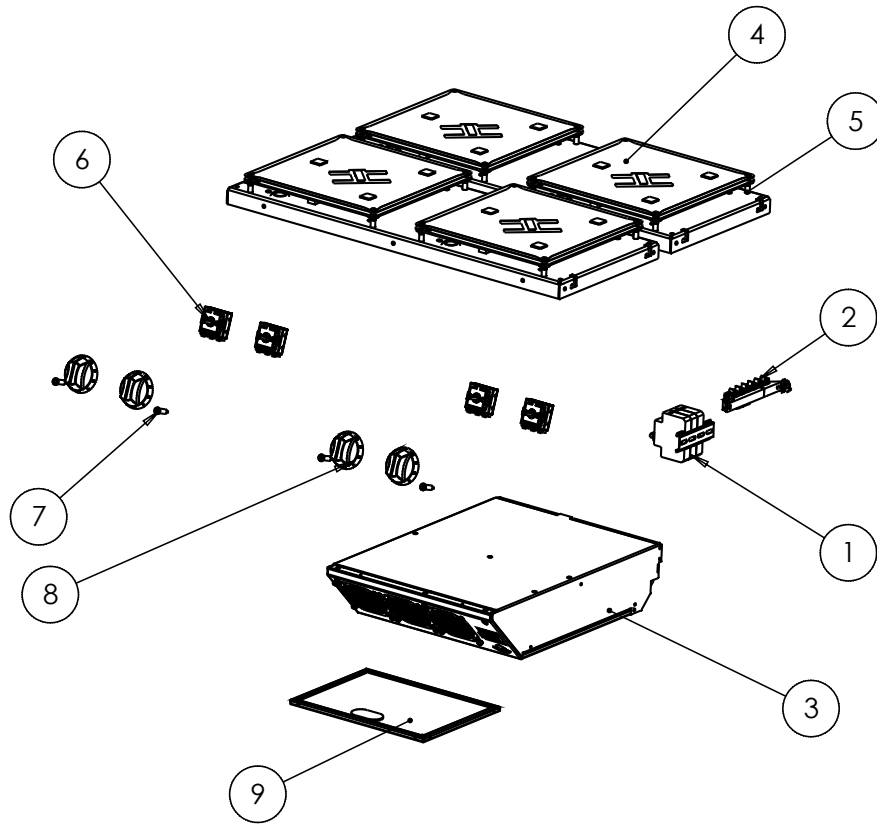
ITEM	DESCRIPTION	SPARES NO.
1	CABLE GLAND	734070022
2	MAINS TERMINAL (6 WAY)	731000006
3	E3903i 3.5kW INDUCTION GENERATOR (650)	734070023
3a	E3904i 5kW INDUCTION GENERATOR (650)	734070024
4	POTENTIOMETER CONTROL SWITCH	734070025
5	CAPACITOR	734070026
6	RJ45 CONNECTION CABLE 1Mtr (not shown)	734070027





# E3903i / E3904i - SPARES - CONTROLS

APPLICABLE TO UNITS BUILT BEFORE JANUARY 2023



ITEM	DESCRIPTION	SPARES CODE
1	40A MCB	734250009
2	TERMINAL BLOCK	731000006
3	GENERATOR E3904i	734250001
3a	GENERATOR E3903i	734250012
4	INDUCTION COIL	734250014
5	COIL FIXING KIT	734250003
6	LIN SWITCH	734250016
7	GREEN INDICATOR	734250017
8	CONTROL KNOB	734060003
9	AIR FILTER	734250004